

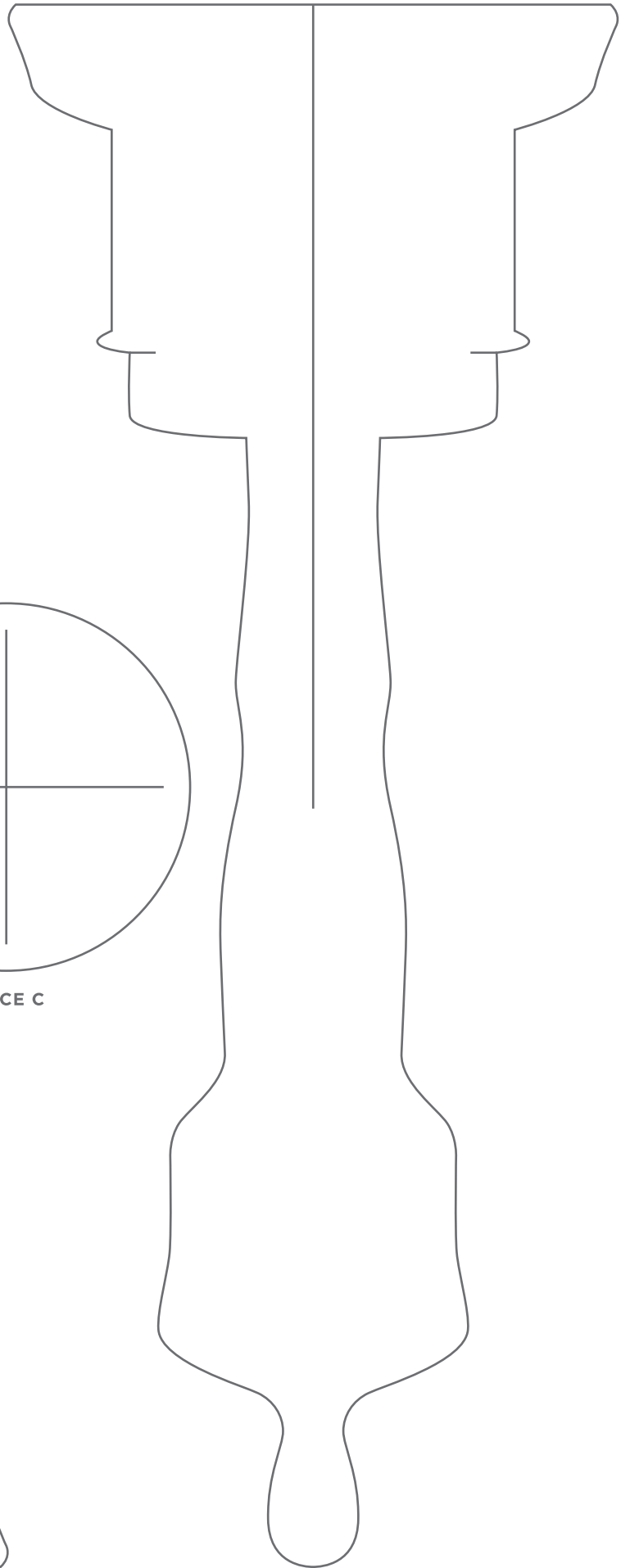
PAPER OSCAR STATUETTE

Print template onto an 8.5x11" piece of black or gold card stock. With an x-acto knife, cut out along solid grey lines. Once all pieces have been trimmed out, slide both interlocking silhouettes (pieces A & B) together. For additional stability, carefully slide piece C over A & B until it locks into place at the top of the base.

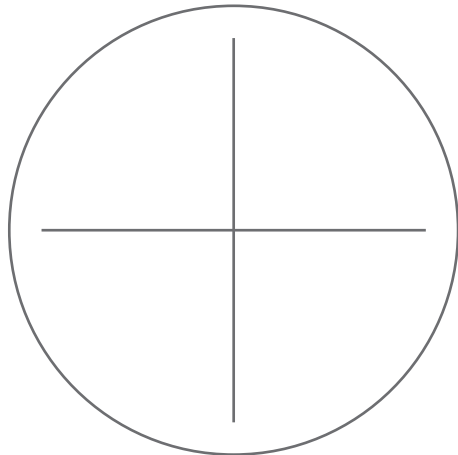
© 2012 TWIGANDTHISTLE.COM | FOR PERSONAL USE ONLY, NOT FOR COMMERCIAL USE. PLEASE DO NOT ALTER AND/OR REDISTRIBUTE THIS FILE WITHOUT PERMISSION FROM TWIG & THISTLE. THANK YOU!



PIECE B



PIECE C



PIECE A

